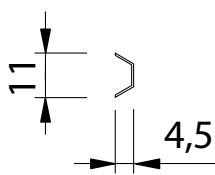
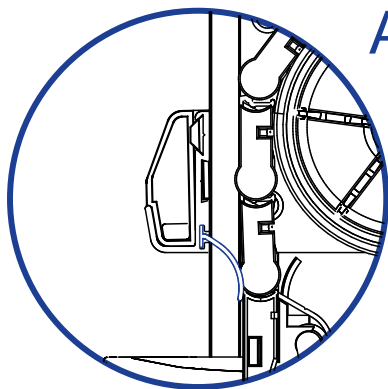
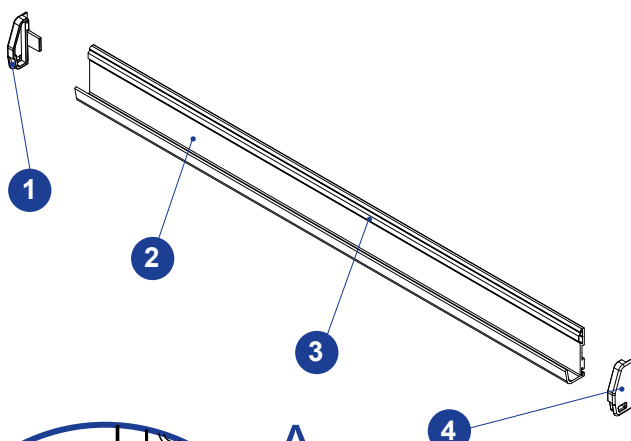
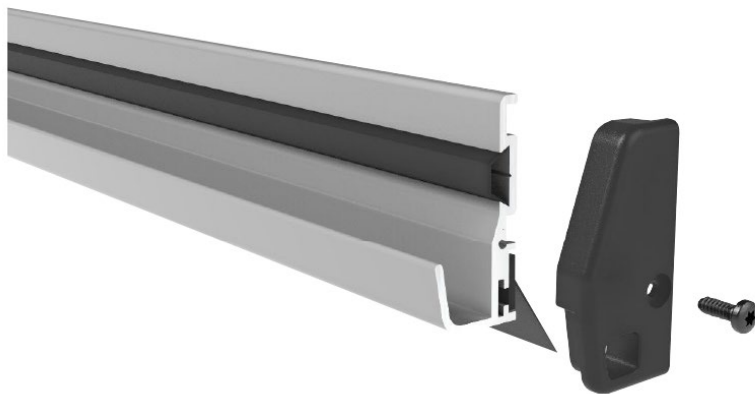


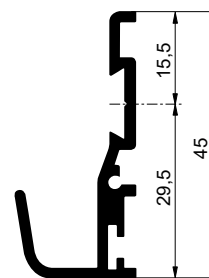


# Rain protection for ALU Shutter 40

## New design of rain protection profile



Old design



New design

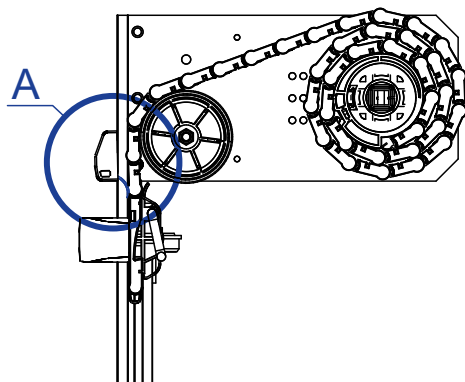
### New design of rain protection profile

Improvements of design:

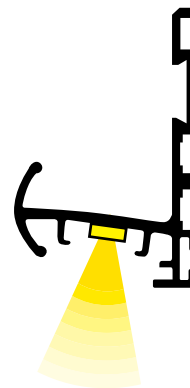
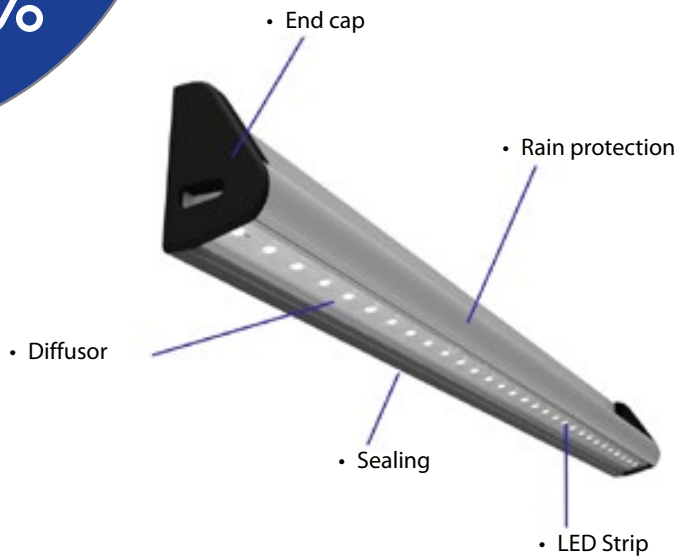
- Slot for attachment of plastic caps using self-cutting screw,
- Enables use of glued sealing but also sealing for T-slot
- Slot for mounting screws is positioned lower thus providing better stability.



*Technical information:  
New design will be supplied after stock of old profile is depleted*



## Rain protection profile with LED strip and diffusor



Rain protection with LED



### Advantages of rain protection with LED:

- White light with high luminosity
- Water and dust resistant IP67
- Illuminating working space directly bellow shutter

