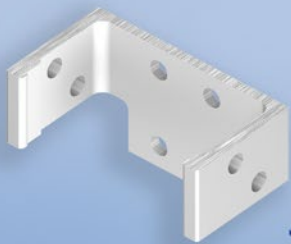




2022/03/24



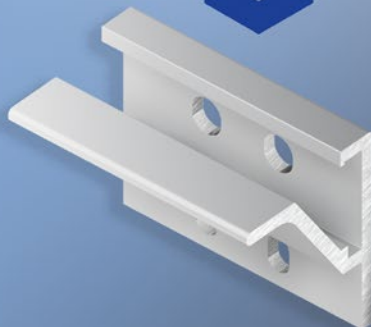
Universal reinforcement for ALUGRIP pillars



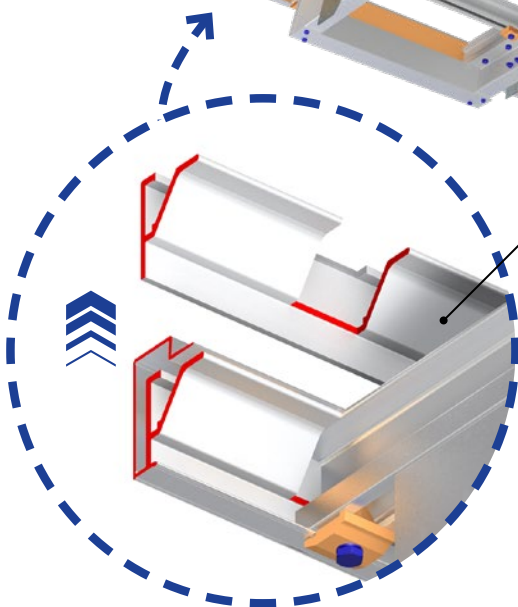
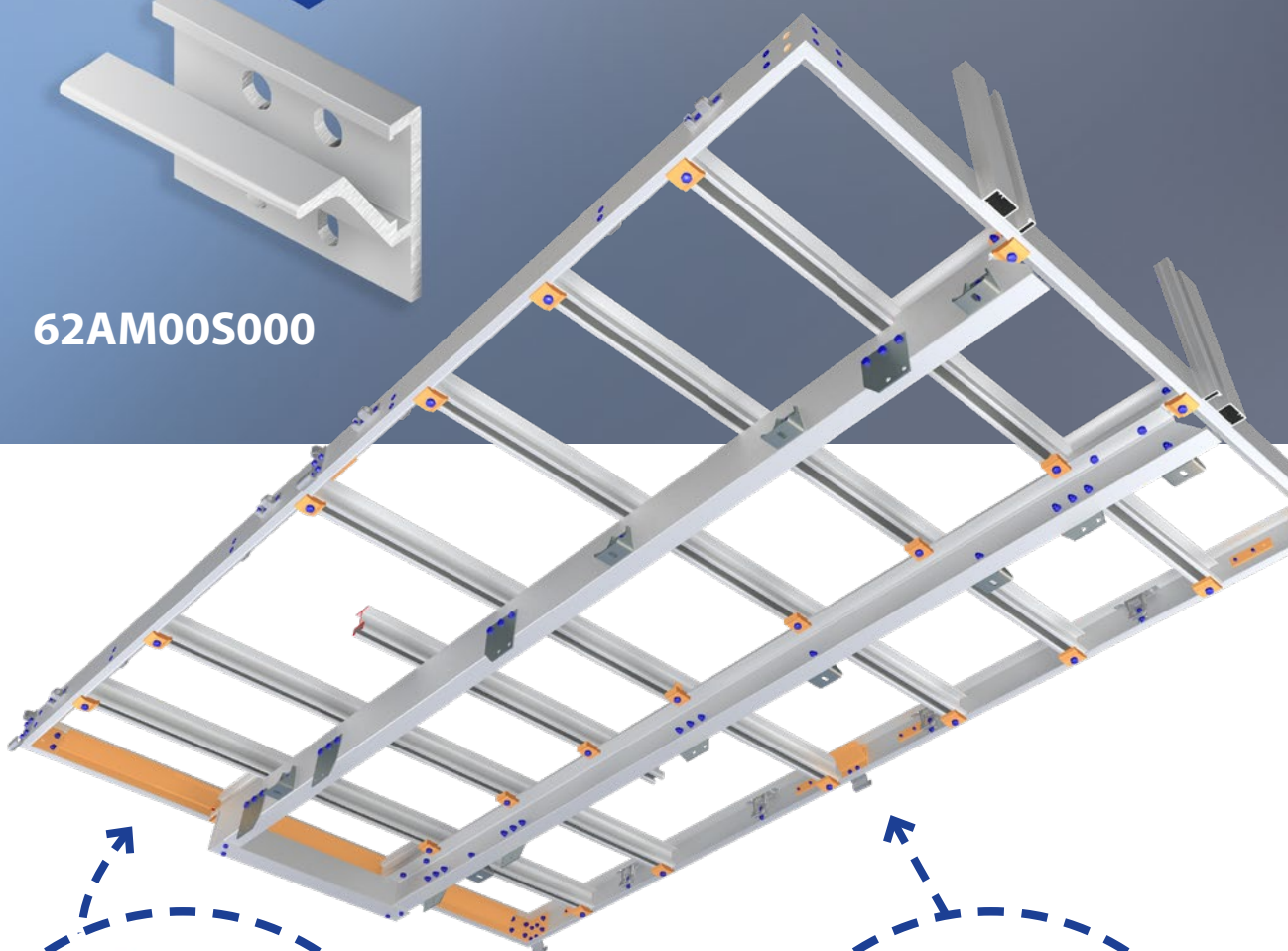
62AMBXS000



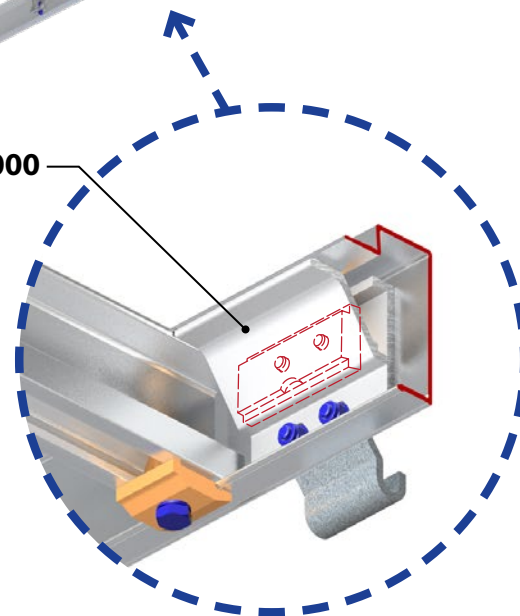
62AMBXS090



62AM00S000



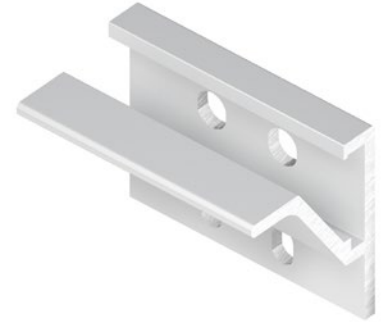
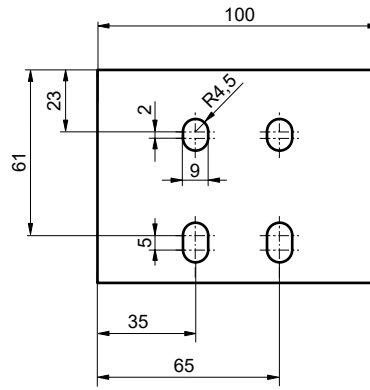
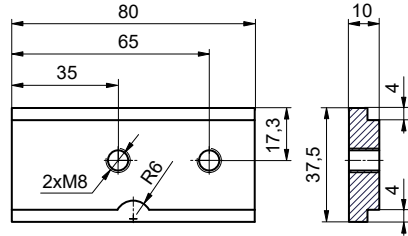
6600007301



62AM00S000

Subject to technical changes.

www.alu-sv.com

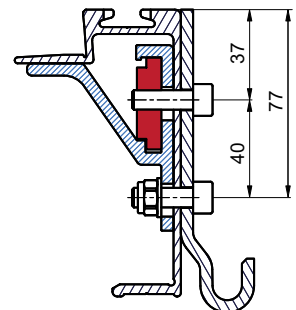
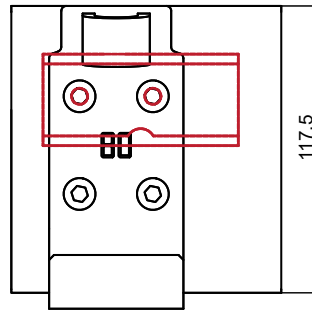
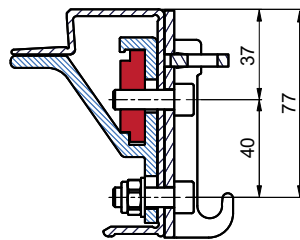
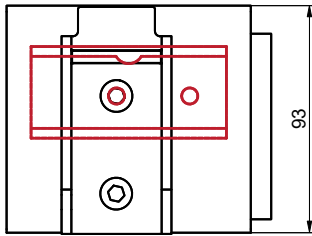


62LP00023		
Screwthread plate M8 AL for 62AM00S000		
EN AW 6082	0,070 kg	pc

62AM00S000		
ALUGRIP 60/80 middle reinforcement		
EN AW 6005A	0,212 kg	pc



Related parts:
6600007301 (EN AW 6005A): Profile for middle part reinforcement



Mounting the plate with the notch facing up for the socket
 ALUGRIP 60 (6298K00005)



Mounting the plate with the notch down for socket
 ALUGRIP 80 (6298K00009)